

Dynamic Footrest Gas Spring

Tools needed: 3/16" hex key

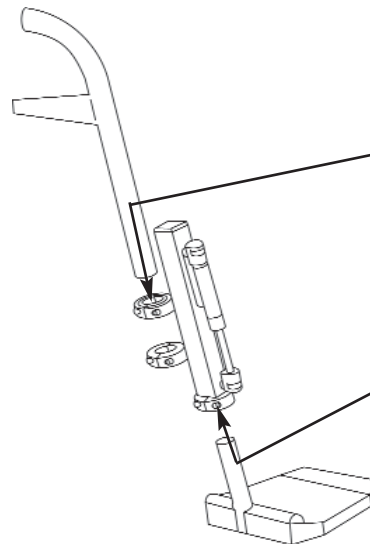
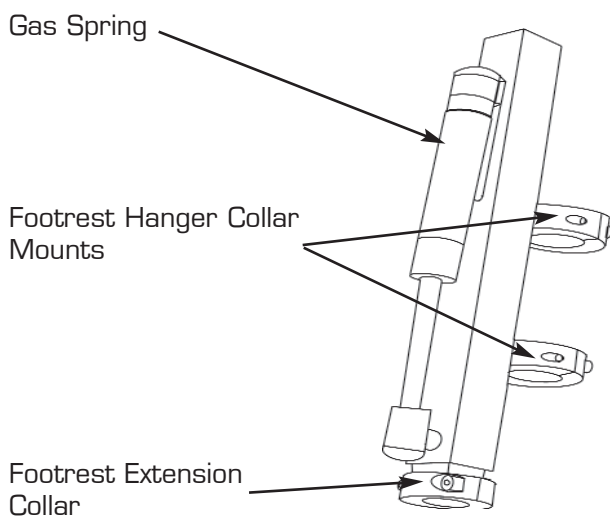
The shock absorbing Dynamic Footrest Gas Spring is a heavy-duty Gas Spring that attaches between the upper and lower footrest components. It is designed to permit movement of the footplate when excessive pressure is applied. This movement reduces stress which could lead to damage of the footplate, footrest attachment/locking components, and the side frame members. Installation is easy - using only a 3/16" hex key.

15, 20 or 40 pound Gas Springs are available. Choose between item numbers 33460 thru 33466 for choice of hanger collar size and gas spring choices.

Precautions

This device may allow the footrest to interfere with the rotation of the caster wheels. Care should be taken at the time of installation to insure there is sufficient space between the back edge of the footplate and caster wheel.

If the footplates come in contact with the front casters, it is possible that the wheelchair could topple forward and the person in the chair could sustain injury. Individuals that have strong flexor (bending) movement pattern of the knees that cause the footplates to pull inward toward the caster wheels should be carefully evaluated before using this device. If this device comes in contact with the wheel during normal use, it should be adjusted to prevent this from happening, or be removed immediately! Miller's assumes no responsibility for injuries which may result from improper installation or use of this device.



1. Remove lower footrest extension from footrest hanger.

2. Insert footrest hanger into both Hanger Collar Mounts. Orient hanger position and tighten. **See "caution" below.**

3. Insert footrest extension into Footrest Extension Collar. Adjust footrest length and orientation in space. Tighten. **See "Precautions" above.**

4. Mount on chair.

Caution: Care should be taken when installing the Dynamic Footrest Device on painted upper footrest hangers. Sliding this device into place or tightening the bolts to secure in place may blemish the paint. Miller's cannot assume responsibility for damage to the paint caused by installing or using this device.