

### Legrest Cradles Mounting Hardware

Tools needed: 3/16" hex key, 7/16" wrench or socket

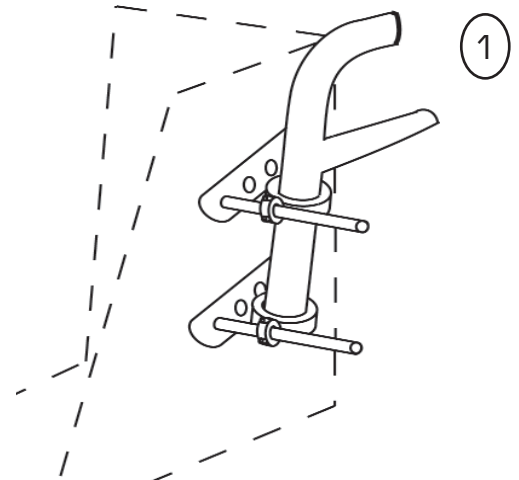
The most common hardware used for the Legrest Cradle is the perpendicular collar (part #'s - 16205 - 16405) and the perpendicular collar with 2" spacer (Part #'s -20905 - 20925). Both are used in combination with the 90 degree L-bar (part #'s - 21090 - 21098). Both combinations are pictured on the right, illustrations 1 and 2. Both of these legrest cradle hardware combinations are able to be used on all (1-piece, 2-piece or adjustable) cradles depending on application.

The follow are basics of installing any Legrest Cradle:

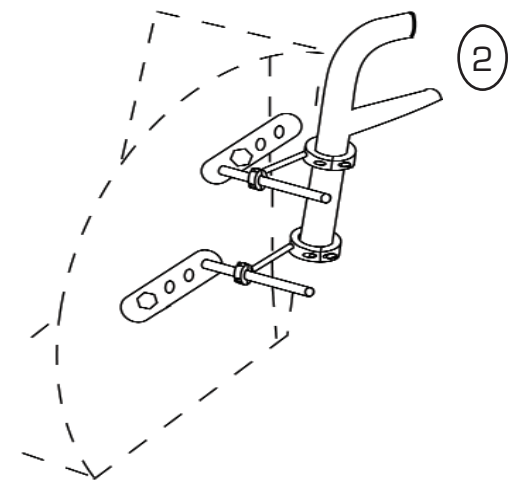
- 1) Mostly the perpendicular collars are used on the smaller size cradles and the Perpendicular with 2" spacer are used with larger cradles.
- 2) Remove the footrest and the footrest extension tube from the hanger.
- 3) Mount the L-bars onto the cradle shell with T-nuts and 1/4" x 20 x 1/2" hex bolts and partially tighten bolts.
- 4) Mount perpendicular collars onto both the hangers and L-bar bracket, while loose move the legrest cradle into desired position.
- 5) Tighten all collars and hex bolts.

Illustration 3 - shows the Swing tube w/bracket (part # 33410) installed. The Swing Bracket is mounted under the seat insert with T-nuts and the non-biting clamp (2 included with part #) is mounted on the cradle.

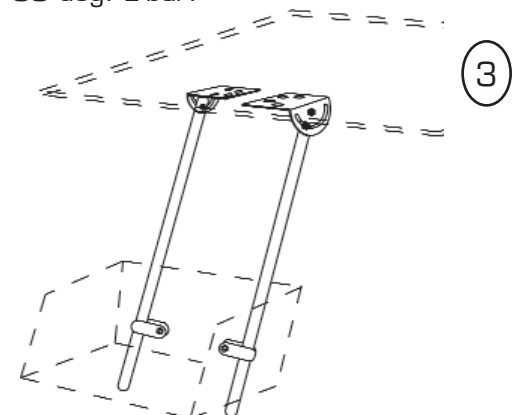
The Swing Tube (#33410) can be used for either 1 or 2 peice Cradles.



Perpendicular Collar w/ 90 deg. L-bar



Perpendicular collar w/2" spacer and 90 deg. L-bar.



Swing tube w/ bracket, pair.